

REVISIONS

NAME	DATE	NOTES
1		
2		
3		
4		
5		
6		
7		
8		

**CONFIDENTIAL INFORMATION**  
 THESE DRAWING, SPECIFICATIONS AND OTHER INFORMATION AND DOCUMENTS ACCOMPANYING THEM ARE THE CONFIDENTIAL AND PROPRIETARY PROPERTY OF WAUSAU TILE, INC. THE DRAWINGS THEMSELVES SHALL BELONG TO THE OWNER FOR USE ONLY ON THE PROJECT. ANY ADDITIONAL USE SHALL REQUIRE THE PRIOR WRITTEN APPROVAL OF WAUSAU TILE, INC. THE PROPRIETARY INFORMATION CONTAINED WITHIN THE DRAWINGS AND THE DOCUMENTS IS AND SHALL REMAIN THE SOLE PROPERTY OF WAUSAU TILE, INC.

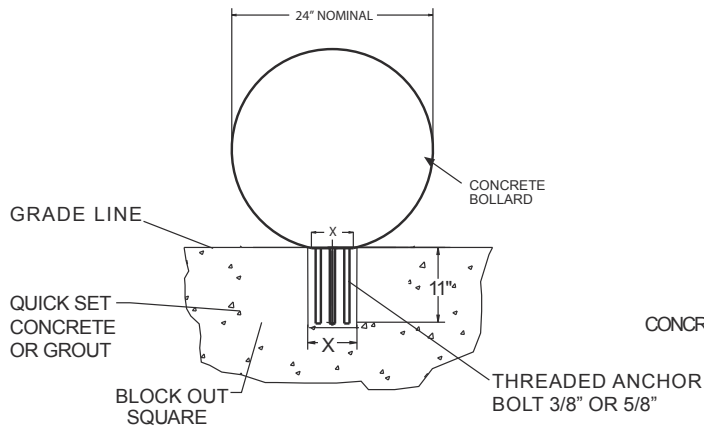
JOB NAME \_\_\_\_\_  
 ADDRESS \_\_\_\_\_  
 CITY, STATE ZIP \_\_\_\_\_

UNLESS OTHERWISE SPECIFIED  
 DIMENSIONS ARE IN INCHES  
 FRACTIONS ±1/8"

DRAWN BY: SK  
 DATE: 6/17/15  
 CD NUMBER: ?  
 WEIGHT: 980 LBS

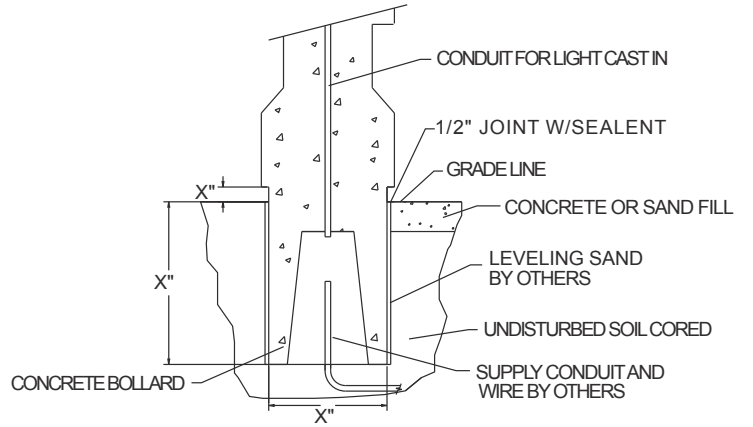
PRODUCT NO.  
**TF 6055**

**SPHERE BOLLARD ANCHOR**  
24" - 30" - 36"

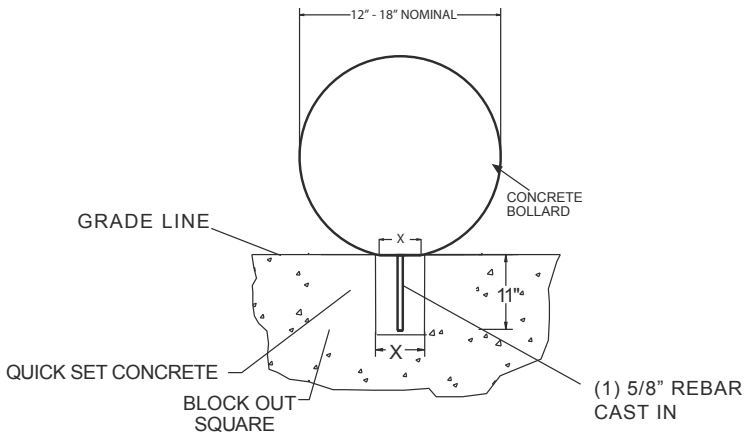


X = BLOCKOUT DIMENSION SHOULD BE 1/2" LESS THAN THE OUTSIDE OF THE SURFACE AREA TOUCHING THE GROUND.

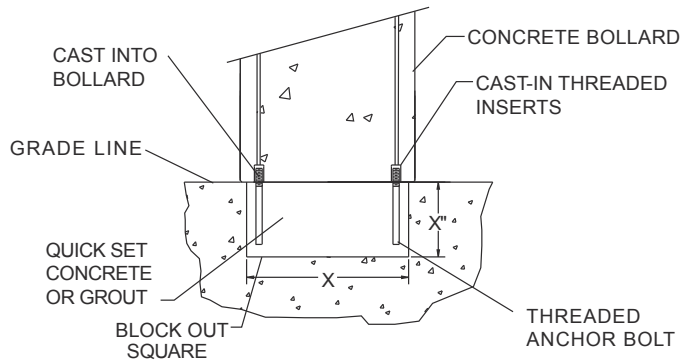
**ANCHOR STYLE C**



**SPHERE BOLLARD ANCHOR**  
12" - 18"



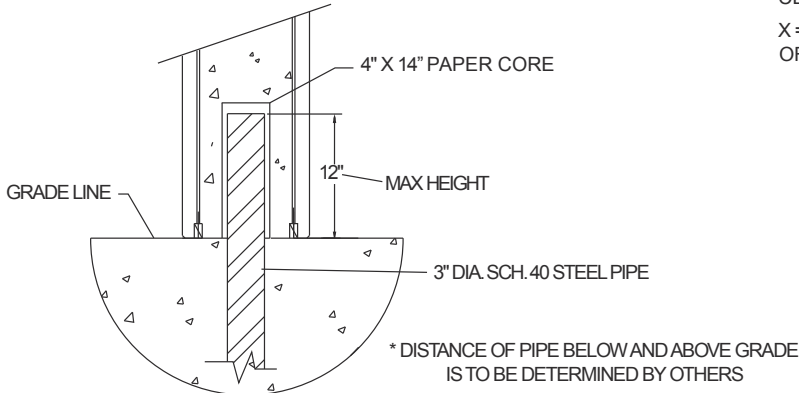
**ANCHOR STYLE A**



NOTE: THIS TYPE ANCHORING IS NOT USED AS BARRICADE. IF USING BOLLARD WITH LIGHT, RUN CONDUIT THROUGH CENTER OF BOLT PATTERN AND STUB OUT.

X = BLOCKOUT DIMENSION SHOULD BE 1/2" LESS THAN THE OUTSIDE OF THE BOLLARD.

**ANCHOR STYLE B**



NOTE: THIS TYPE ANCHORING IS ALSO USED AS A BARRICADE. BOLLARD HELD IN PLACE BY STEEL PIPE. STEEL PIPE MUST BE ANCHORED IN CONCRETE FOOTING.

TYP. 12" DIA. CONCRETE BOLLARD SAME. ANCHORING SYSTEM USED ON 14" AND 18" DIA. OR SQ. BOLLARDS.