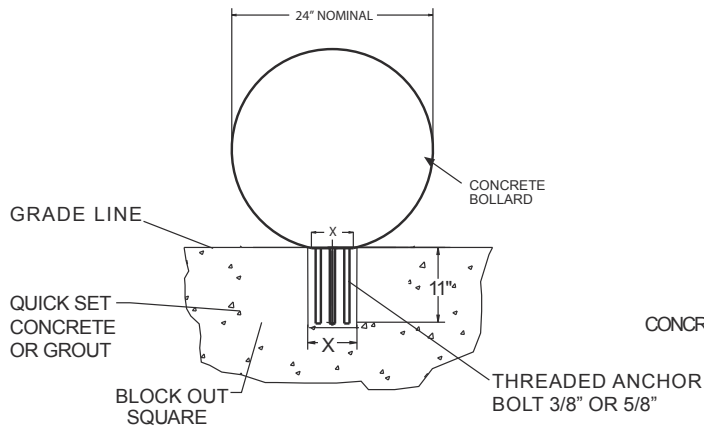


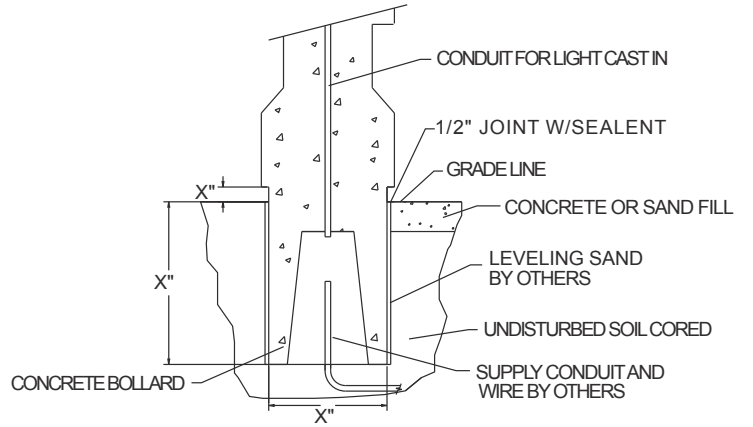
WAUSAU TILE SITE FURNISHINGS										
REVISIONS			DRAWN BY		JOB		MATERIAL			
			MJS				CONCRETE			
NO.	DATE	BY	NO.	DATE	BY	TITLE	JOB NO.		WEIGHT	
1			4			Ø24" SOCCER BALL BOLLARD			750 LBS.	
2			5			SCALE	1/4	UNLESS OTHERWISE SPECIFIED DIMENSIONS ARE IN INCHES ANGLES ±0.5° FRACTIONS ± 1/4	FINISH OPTIONS	
3			6					2 PL. ±0.01 3 PL. ±0.005	WHITE/BLACK	
							DATE	11/05/07	DWG. NO.	TF6212

**SPHERE BOLLARD ANCHOR**  
24" - 30" - 36"

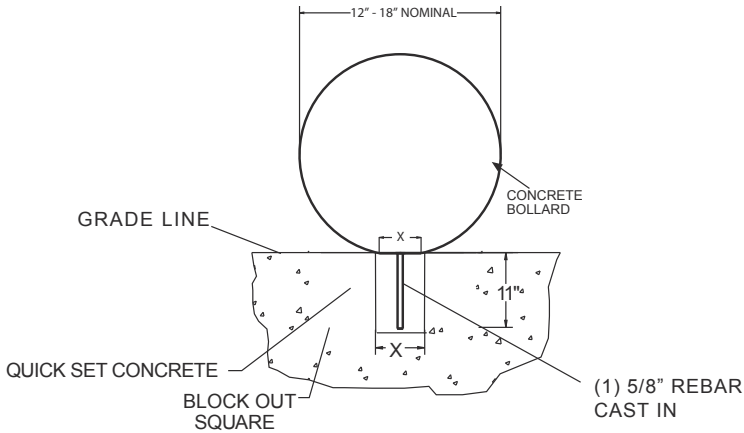


X = BLOCKOUT DIMENSION SHOULD BE 1/2" LESS THAN THE OUTSIDE OF THE SURFACE AREA TOUCHING THE GROUND.

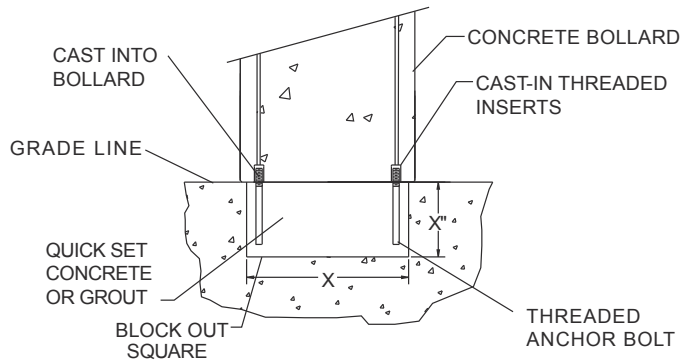
**ANCHOR STYLE C**



**SPHERE BOLLARD ANCHOR**  
12" - 18"



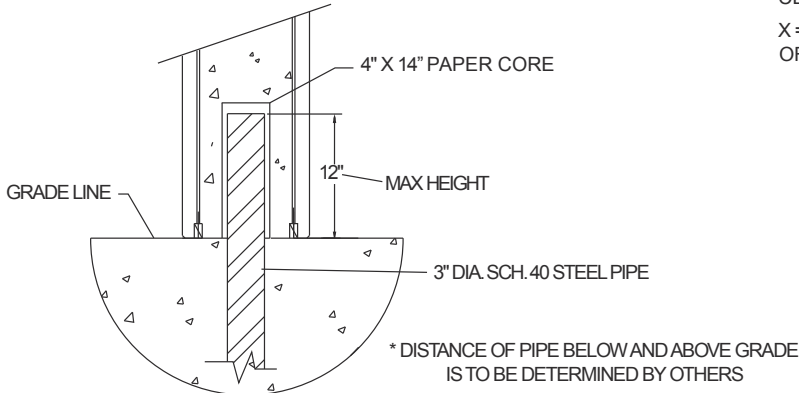
**ANCHOR STYLE A**



NOTE: THIS TYPE ANCHORING IS NOT USED AS BARRICADE. IF USING BOLLARD WITH LIGHT, RUN CONDUIT THROUGH CENTER OF BOLT PATTERN AND STUB OUT.

X = BLOCKOUT DIMENSION SHOULD BE 1/2" LESS THAN THE OUTSIDE OF THE BOLLARD.

**ANCHOR STYLE B**



\* DISTANCE OF PIPE BELOW AND ABOVE GRADE IS TO BE DETERMINED BY OTHERS

NOTE: THIS TYPE ANCHORING IS ALSO USED AS A BARRICADE. BOLLARD HELD IN PLACE BY STEEL PIPE. STEEL PIPE MUST BE ANCHORED IN CONCRETE FOOTING.

TYP. 12" DIA. CONCRETE BOLLARD SAME ANCHORING SYSTEM USED ON 14" AND 18" DIA. OR SQ. BOLLARDS