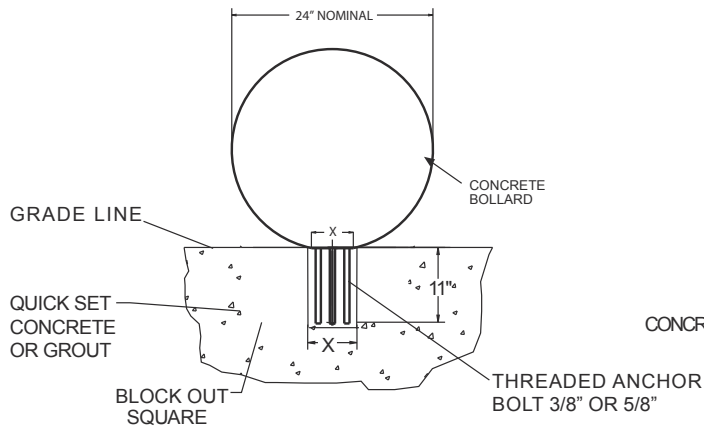


CONFIDENTIAL INFORMATION

These drawings, specifications and the other information and documents accompanying them are the confidential and proprietary property of Wausou Tile, Inc. The drawings themselves shall belong to the owner for use only on this project. Any additional use shall require the prior written approval of Wausou Tile, Inc. The proprietary information contained within the drawings and the documents is and shall remain the sole property of Wausou Tile, Inc.

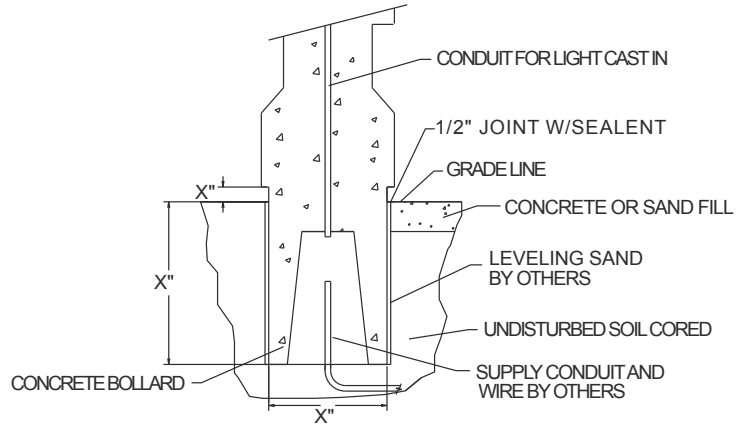
Terra-Form Products					Terra-Paving Products					Precast Products				
Wausou Tile														
REVISIONS										JOB FOOTBALL & STAND			LOCATION	
NO.	DATE	BY	NO.	DATE	BY	DESIGNED BY					DRAWING			
1	3/23/01	RJH	4			DRAWN BY RJH					DATE	10/4/00	SCALE	1/4" = 1"
2			5			CHND.					JOB NO.		DWG. NO.	000-10-246
3			6											

SPHERE BOLLARD ANCHOR
24" - 30" - 36"

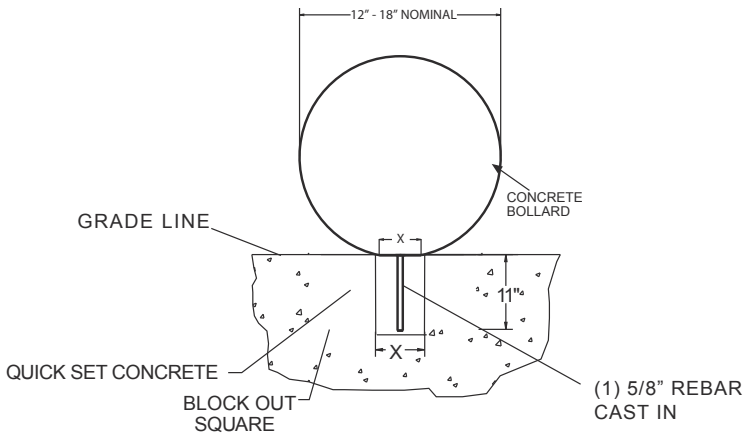


X = BLOCKOUT DIMENSION SHOULD BE 1/2" LESS THAN THE OUTSIDE OF THE SURFACE AREA TOUCHING THE GROUND.

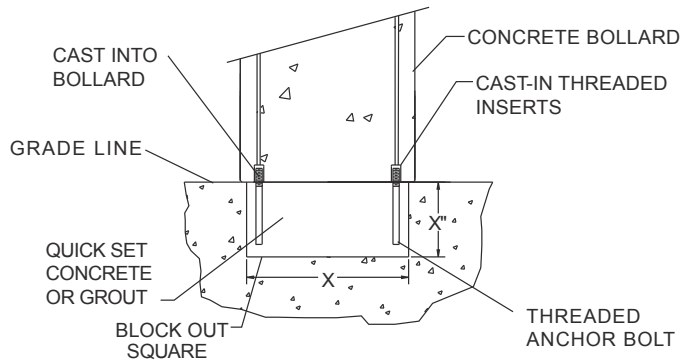
ANCHOR STYLE C



SPHERE BOLLARD ANCHOR
12" - 18"



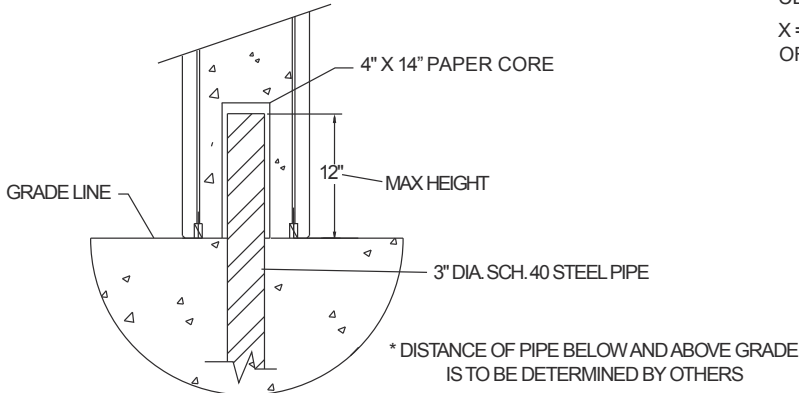
ANCHOR STYLE A



NOTE: THIS TYPE ANCHORING IS NOT USED AS BARRICADE. IF USING BOLLARD WITH LIGHT, RUN CONDUIT THROUGH CENTER OF BOLT PATTERN AND STUB OUT.

X = BLOCKOUT DIMENSION SHOULD BE 1/2" LESS THAN THE OUTSIDE OF THE BOLLARD.

ANCHOR STYLE B



NOTE: THIS TYPE ANCHORING IS ALSO USED AS A BARRICADE. BOLLARD HELD IN PLACE BY STEEL PIPE. STEEL PIPE MUST BE ANCHORED IN CONCRETE FOOTING.

TYP. 12" DIA. CONCRETE BOLLARD SAME. ANCHORING SYSTEM USED ON 14" AND 18" DIA. OR SQ. BOLLARDS.