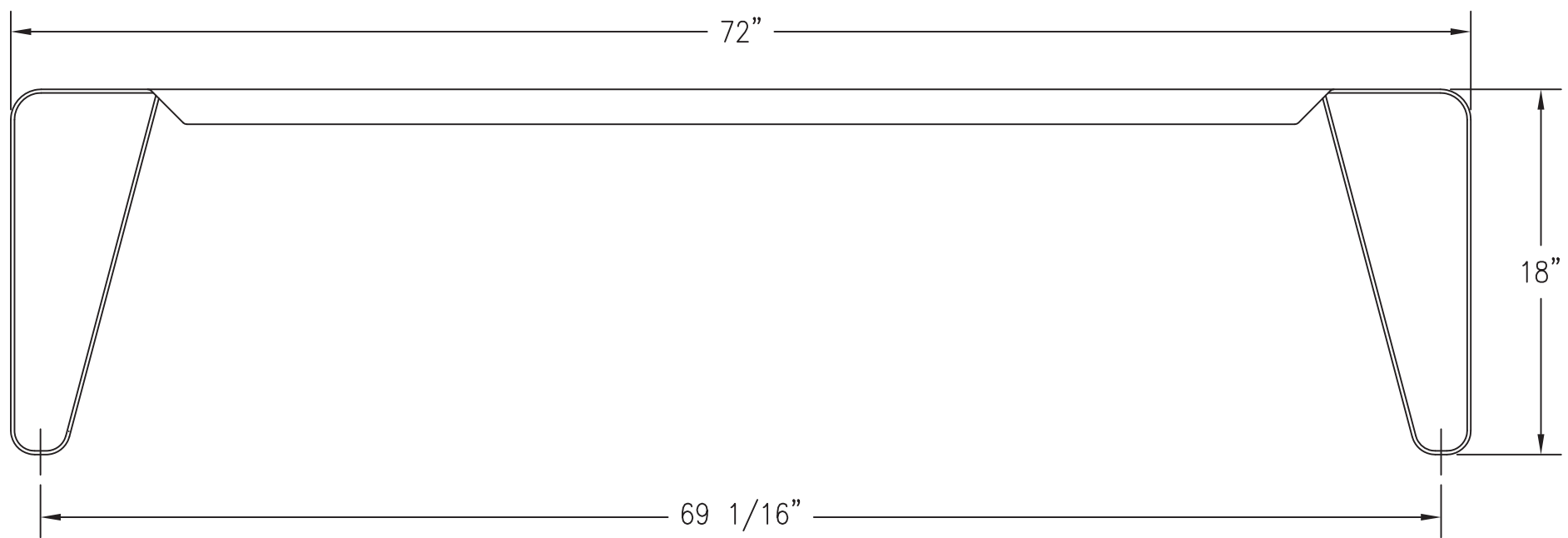
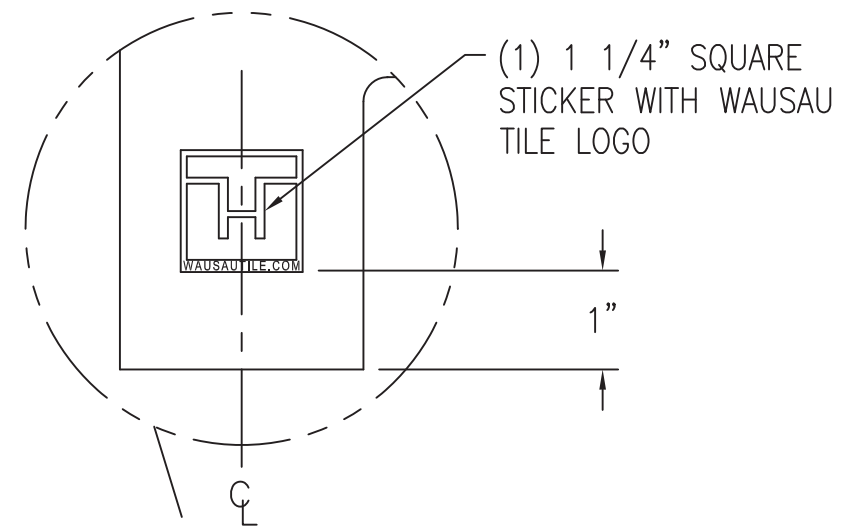
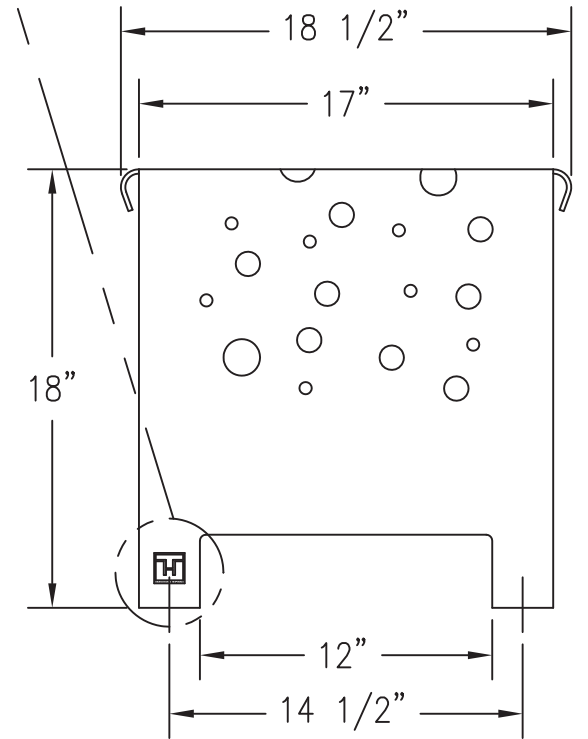


1 TOP VIEW OF WS-202 BENCH
Scale: 1/8" = 1"



2 FRONT ELEVATION OF WS-202 BENCH
Scale: 1/8" = 1"



3 SIDE ELEVATION OF BENCH WS-202
Scale: 1/8" = 1"

PRODUCT & PRICING INFO CONTACT



Info@streetscapefurniture.com ■ 303.398.7040

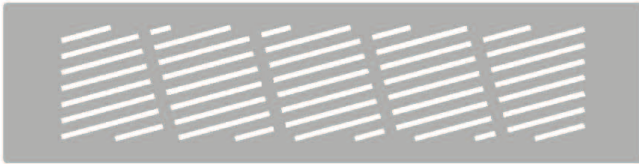
WAUSAU TILE SITE FURNISHINGS						WS-202 BENCH W/S-F PATTERN						
REVISIONS						DRAWN BY	M JOHNSON	JOB	MATERIAL		STEEL	
NO.	DATE	BY	NO.	DATE	BY	JOB NO.	LOCATION		WEIGHT			
1	12/16/09	PAW	4			SCALE	AS NOTED		DATE	10/14/09	ITEM NO.	WS-202
2			5			UNLESS OTHERWISE SPECIFIED DIMENSIONS ARE IN INCHES ANGLES ±0.5° FRAC.±1/64" 2 PL ±0.01 3 PL ±0.005		FINISH OPTIONS	DWG. NO.		350219	
3			6									



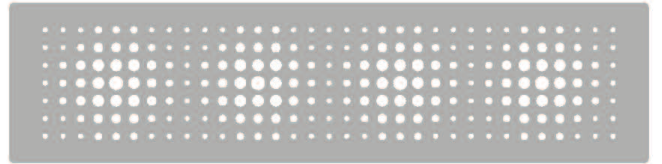
STREETSCAPES.BIZ

303.398.7040 ■ 1400 Sixteenth St., Suite 400 ■ Denver, Colorado 80202

SELECT BENCH PATTERNS



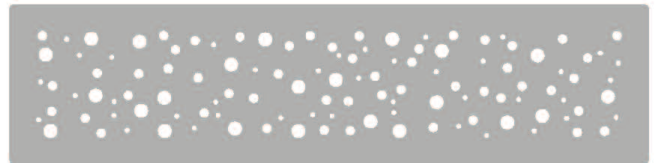
S-A



S-E



S-B



S-F



S-C



S-G



S-D



S-H