

PRODUCT & PRICING INFO CONTACT



STREETSCAPES.BIZ

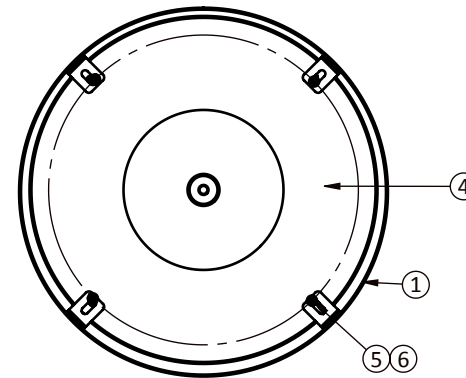
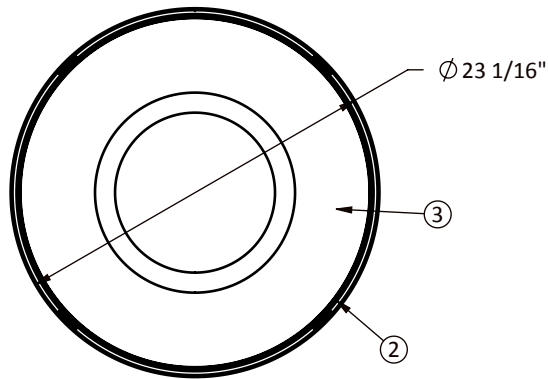
Info@streetscapefurniture.com ■ 303.398.7040

ITEM NO.	PART NUMBER	DESCRIPTION	QTY.
1	350106	ASSY WC CUSTOM (WS-304)	1
2	750082	31 GALLON	1
3	TF1510	LID FUNNEL, Ø21 7/8"	1
4	7118	CONCRETE WC BASE	1
5	RM11735	BHSCS, 1/4-20 X 1/2", 18-8 SS	4
6	71013	WASHER, FLAT, Ø1/4" X Ø5/8"	4

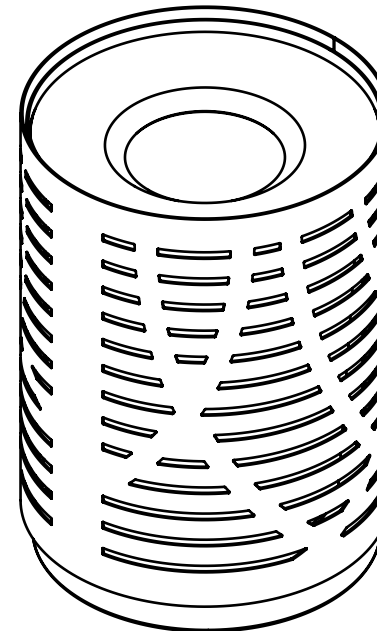
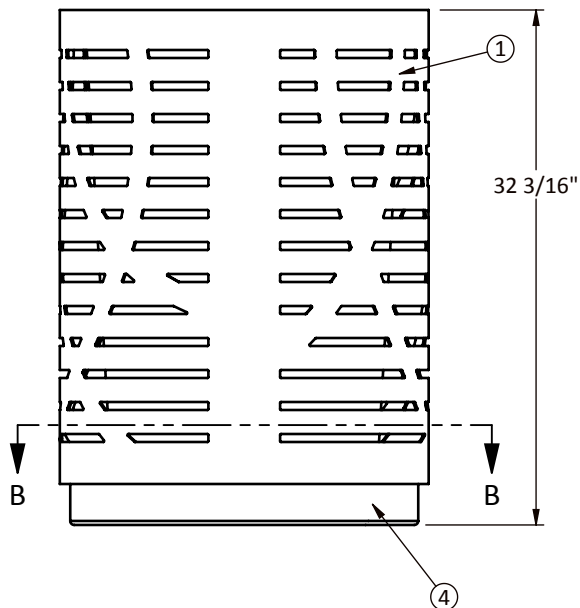


REVISIONS

NAME	DATE	NOTES
1		
2		
3		
4		
5		
6		
7		
8		



SECTION B-B



**CONFIDENTIAL INFORMATION**  
 THESE DRAWINGS, SPECIFICATIONS AND OTHER INFORMATION AND DOCUMENTS ACCOMPANYING THEM ARE THE CONFIDENTIAL AND PROPRIETARY PROPERTY OF WAUSAU TILE, INC. THE DRAWINGS THEMSELVES SHALL BELONG TO THE OWNER FOR USE ONLY ON THE PROJECT. ANY ADDITIONAL USE SHALL REQUIRE THE PRIOR WRITTEN APPROVAL OF WAUSAU TILE, INC. THE PROPRIETARY INFORMATION CONTAINED WITHIN THE DRAWINGS AND THE DOCUMENTS IS AND SHALL REMAIN THE SOLE PROPERTY OF WAUSAU TILE, INC.

WC - CUSTOM

UNLESS OTHERWISE SPECIFIED DIMENSIONS ARE IN INCHES  
 TOLERANCE:  
 FRACTIONS ± 1/8" ANGLE ± 0.5°  
 DIM: 2-PL ± 0.01 3-PL ± 0.05

DRAWN BY: DLS 07-12-2016

DATE: 2/7/2017

MATERIAL:

CO NUMBER:

WEIGHT:

NUMBER:

WS304-SL