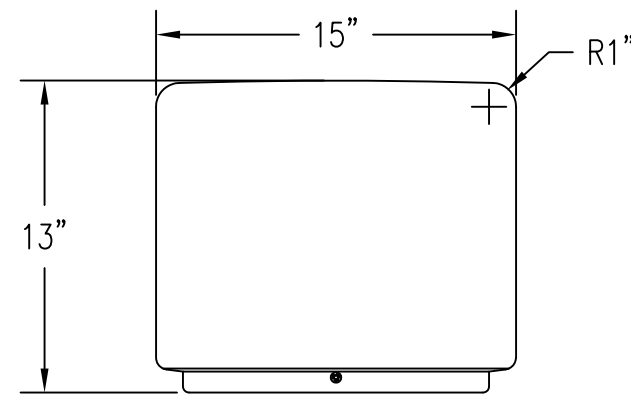
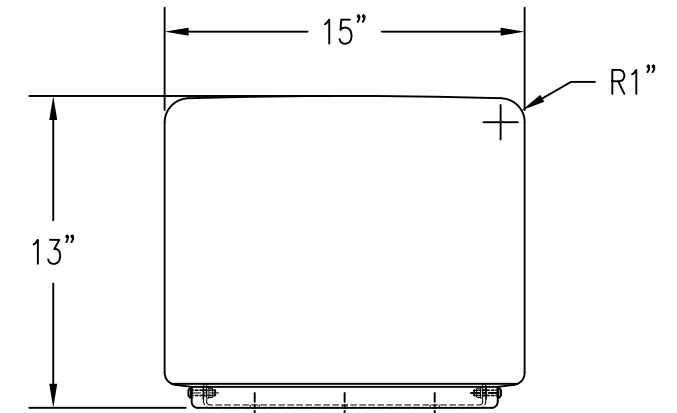


**1** TOP VIEW  
Scale: 1/8" = 1"



**2** ELEVATION VIEW  
Scale: 1/8" = 1"



**3** ELEVATION VIEW  
Scale: 1/8" = 1"

**WAUSAU TILE**

REVISION	DESCRIPTION	DRAWN BY	DATE
4			
3			
2			
1			

DRAWN BY	JPZ	JOB	MATERIAL	PLASTIC
JOB NO.		LOCATION	WEIGHT	
SCALE	AS NOTED	UNLESS OTHERWISE SPECIFIED DIMENSIONS ARE IN INCHES TOLERANCES: ±1/8"	DATE	6/10/11
FINISH OPTIONS			ITEM NO.	2403
			DWG. NO.	1 OF 1